

C12 Block Cheese Cutter



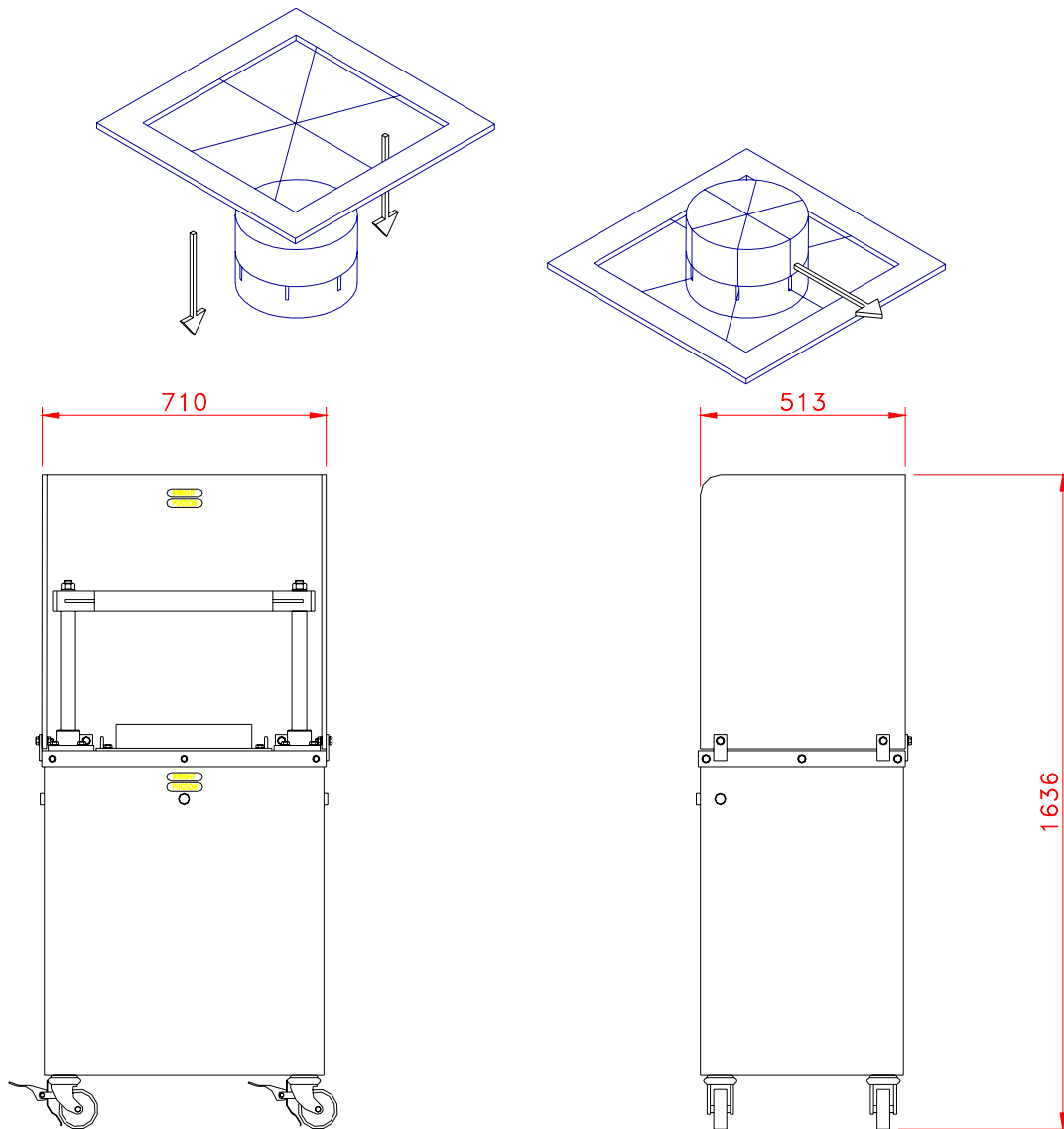
Simple, operationally flexible single-stage cutter for the specialist cheese packer



- Ideal for cutting wedges from Brie, Camembert and traditional Cheddar Truckles
- Suitable for slabs or slices from blocks and more unusual shapes such as triangles
- Perfect for small scale packing lines
- Manual load with excellent safety features
- Simple, reliable and hygienic
- pneumatic power only

Engineering Quality For Food

Wright Pugson C12 Block Cheese Cutter



Features & Benefits

Two start buttons : safe - both hands on machine exterior

Wide range of cutting options : rapid change for different cutting patterns
: ideal for multi-product operation

Mechanically simple : easy to maintain, inexpensive to run

Pneumatically powered : no electricity supply, washdown safe

All stainless steel and food quality plastics : meets or exceeds hygiene standards

UK - Arcall plc
Westminster Road, Wareham,
Dorset BH20 4SR England
Tel: +44 (0) 1929 554884
Fax: +44 (0) 1929 554466

Web: <http://www.arcall.co.uk>
E-mail: sales@arcall.co.uk
USA: sales@arcall.com

USA - Arcall Inc
c/o C R G Technologies Inc.
13127B Middletown Industrial Boulevard
Louisville, Kentucky 40223
Tel: 1 800 500 6557 Fax: 1 (502) 244 8082